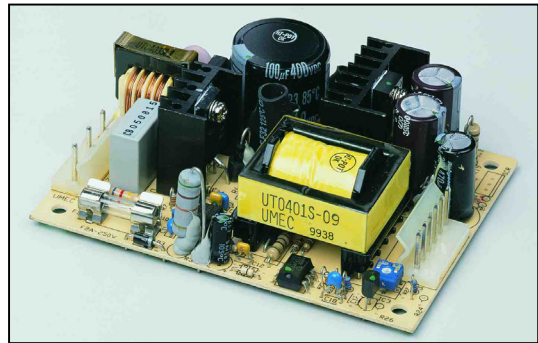


UP0401S-()() SERIES

40 Watt Open Frame Switchers

- ◆ Small Size
- ◆ Universal Input 90 to 264 VAC
- ◆ EMI Meets FCC/CISPR 22 Class B
- ◆ MTBF 470Khrs



SPECIFICATIONS

All specifications are typical at nominal line, full load and 25°C unless otherwise noted.

INPUT SPECIFICATIONS

Input Voltage Range 90-264VAC
Input Frequency 47-63 Hz
Inrush Current 40A max.(Cold Start)
Line Regulation¹ ±1%

GENERAL SPECIFICATIONS

Hold-up Time 16mS typ.
Efficiency 70% typ.
Leakage Current 3mA max.
Short Circuit Protection Continuous
Overvoltage Protection 5VDC output only
Hi-pot Isolation: Input / Output 4242 VDC

ENVIRONMENTAL SPECIFICATIONS

Operating Temperature Range 0°C to 70°C
Derating 50°C to 70°C 2%/°C
Temperature Coefficient ±0.02%/°C
Storage Temperature Range -40°C to +85°C
Humidity, Non-Condensing 0 to 95% RH
Cooling Free- Air Convection
EMI Meets FCC/CISPR 22 Class B Specification

NOTES

1. Measured from 90 to 264 VAC.



3,27TH RD., TAICHUNG INDUSTRIAL PARK,
TAICHUNG, TAIWAN, R.O.C.
TEL: 886-4-23590096 FAX: 886-4-23590129

OUTPUT SPECIFICATIONS

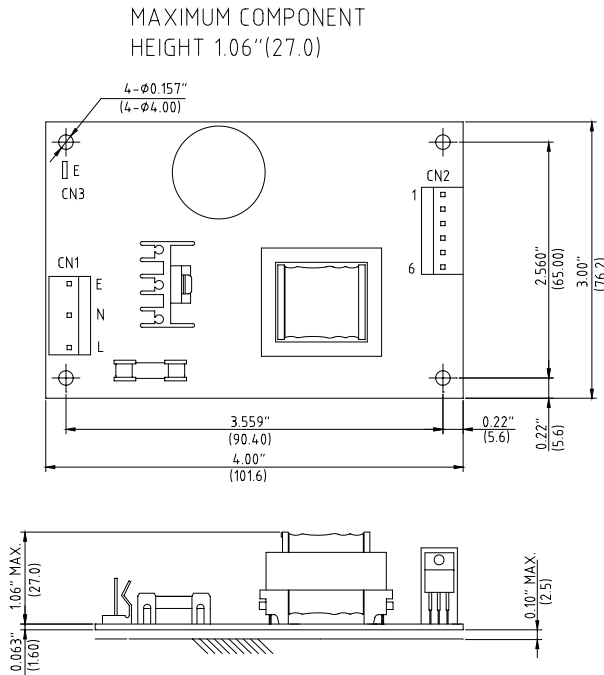
Model Number	Output ¹ Voltage (Volts)	Output Current ² (Amps)		Peak ³ (Amps)	Total maximum output power (Watts)	Ripple ⁴ P-P (mV)	Load Regulation
		Min.	Rated				Load Change
							0-100%
UP0401S-03 ⁵	3.3	0	8.5	10.2	28	50	±1%
UP0401S-05	5	0	7.0	9	35	100	±1%
UP0401S-09	9	0	4.4	5	40	100	±1%
UP0401S-12	12	0	3.3	3.75	40	120	±1%
UP0401S-15	15	0	2.6	3	40	150	±1%
UP0401S-18	18	0	2.2	2.5	40	180	±1%
UP0401S-24	24	0	1.6	1.88	40	240	±1%
UP0401S-48 ⁵	48	0	0.84	1.07	40	480	±1%

NOTES

- The output voltage is set to ±1%, with all the outputs at rated load. And the adjustable range is ±5%.
- The +12V output on all models will accept pulse load currents up to 3.75A, usable in number of disk drive applications. The +24V will accept pulse load currents up to 1.88A. Period must be less than 500 mS at a 10% duty cycle. The average current must be less than the maximum current.
- Peak output current lasting less than one minute with duty factor less than 5%. During peak loading voltage may exceed regulation limits.
- Add a 0.1uF ceramic capacitor and a 10uF E.L. capacitor to the output cable. Peak to peak and RMS metering equipment shall have a 20 MHz response with probes and cables maintaining frequency response from 200 Hz to 100MHz bandwidth. Output ripple and spikes are measured directly at the output terminals of the power supply without the use of the probe ground clip.
- Safety Pending.

PHYSICAL SPECIFICATIONS

Weight: 200g.



NOTES

- All dimensions in inches (mm).
- Tolerance .xx=±0.05, .xxx=±0.020

CN1 input connector	
Molex 09-65-2058 with second and fourth pin removed	
Pin	Input voltage
L&N	90-264 VAC
E	GROUND
Molex mating connector	
Molex 5195 series	
Housing with 5194 series crimp terminals	
CN2 output connector Molex pin 09-65-2068	
Model	
Pin	UP0401S-XX
1	Vo
2	
3	
4	Common
5	
6	
Molex mating connector	
Molex 5195 series	
Housing with 5194 series crimp terminals	
CN3(option) input ground tab, tab size 4.8*0.5(mm)	
With receptacle for 4.8*0.5(mm) tab	



**UNIVERSAL
MICROELECTRONICS**

3,27TH RD., TAICHUNG INDUSTRIAL PARK,
TAICHUNG, TAIWAN, R.O.C.
TEL: 886-4-23590096 FAX: 886-4-23590129