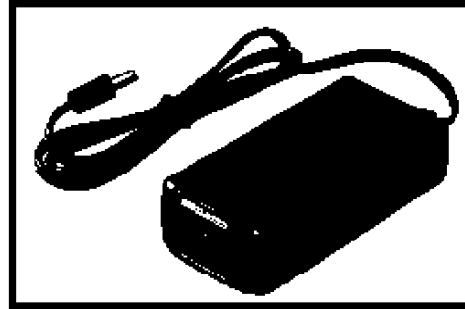


UP0151D-() () P SERIES

12-15 Watt AC/DC Adapter

- ◆ Universal Input 90 to 264 VAC
- ◆ EMI Meets FCC/CISPR 22 Class B
- ◆ MTBF 350Khrs



SPECIFICATIONS

All specifications are typical at nominal line, full load and 25 °C unless otherwise noted.

INPUT SPECIFICATIONS

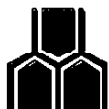
Input Voltage Range90 -264VAC
Input Frequency 47 -63 Hz
Inrush Current30A max.(Cold Start)

GENERAL SPECIFICATIONS

Hold-up Time1.0ms typ.
Leakage Current0.5mA max
Short Circuit Protection Continuous
Over-voltage Protection 5VDC output only
Continuous Output Power1.5W max.
Hi-pot Isolation: Input / Output.....4242 VDC

ENVIRONMENTAL SPECIFICATIONS

Operating Temperature Range 0 °C to 50 °C
Derating 40 °C to 50 °C 2%/°C
Temperature Coefficient ±0.02%/°C
Storage Temperature Range -40 °C to +85 °C
Humidity, Non-Condensing0 to 95% RH
CoolingFree- Air Convection
EM Meets FCC/CISPR 22 Class B Specification



**UNIVERSAL
MICROELECTRONICS**

OUTPUT SPECIFICATIONS

| Model Number | Output Voltage (Volts) | Output Current (Amps) | | Max. Power (watt) | Efficiency (typ.) | Ripple ¹ P-P (mV) | Total Regulation ² |
|--------------|---------------------------|--------------------------|-------|----------------------|----------------------|------------------------------------|----------------------------------|
| | | Min. | Rated | | | | |
| UP0151D-05P | 5 | 0 | 2.4 | 12 | 68% | 75 | ±4% |
| UP0151D-06P | 6 | 0 | 2 | 12 | 68% | 75 | ±4% |
| UP0151D-09P | 9 | 0 | 1.33 | 12 | 68% | 100 | ±3% |
| UP0151D-12P | 12 | 0 | 1 | 12 | 73% | 100 | ±3% |
| UP0151D-15P | 15 | 0 | 1 | 15 | 73% | 150 | ±3% |
| UP0151D-18P | 18 | 0 | 0.84 | 15 | 73% | 150 | ±2% |
| UP0151D-24P | 24 | 0 | 0.625 | 15 | 76% | 200 | ±2% |
| UP0151D-48P | 48 | 0 | 0.32 | 15 | 76% | 200 | ±2% |

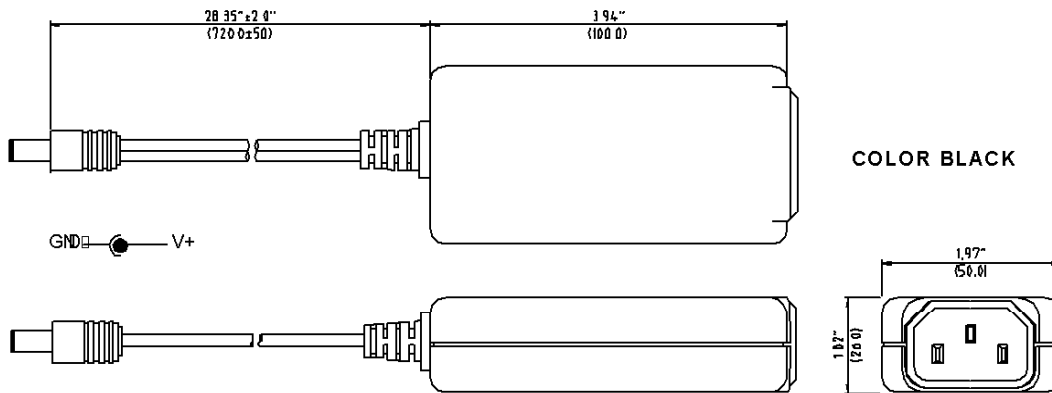
NOTES:

1. Add a 0.1uF ceramic capacitor and a 10uF E.L. capacitor to the output cable. Peak to peak and RMS metering equipment shall have a 20 MHz response with probes and cables maintaining frequency response from 200 Hz to 100MHz bandwidth. Output ripple and spikes are measured directly at the output terminals of the power supply without the use of the probe ground clip.
2. Total regulation is defined as the static output regulation at 25°C, including initial tolerance, line voltage and load current within stated limits.

PHYSICAL SPECIFICATIONS

Weight : 140g

Case Material :PC+ABS Plastic UL94V-0 Flammability Rated



DC plug & pin assignment (CUSTOM DESIGN IS AVAILABLE)

IN 2.5/ OUT5.5 DC PLUG FEMALES

NOTES:

1. All dimensions in inches (mm).
2. Tolerance (except cable length): .xx = ±0.04
.xxx = ±0.010



**UNIVERSAL
MICROELECTRONICS**