

UP0351E-() () P SERIES

30-36 Watt AC/DC Adapter

- ◆ Universal Input 90 to 264 VAC
- ◆ EMI Meets FCC/CISPR 22 Class B



SPECIFICATIONS

All specifications are typical at nominal line, full load and 25°C unless otherwise noted.

INPUT SPECIFICATIONS

Input Voltage Range 90-264VAC
Input Frequency 47-63 Hz
Inrush Current 40A max.(Cold Start)

GENERAL SPECIFICATIONS

Hold-up Time 10mS typ.
Efficiency 70% typ.
Leakage Current 0.5mA max.
Short Circuit Protection Continuous
Overvoltage Protection All Models
Overload Protection 120-200% of rated value

ENVIRONMENTAL SPECIFICATIONS

Operating Temperature Range 0°C to 50°C
Derating 40°C to 50°C 2%/°C
Temperature Coefficient ±0.02%/°C
Storage Temperature Range -40°C to +85°C
Humidity, Non-Condensing 0 to 95% RH
Cooling Free- Air Convection
EMI Meets FCC/CISPR 22 Class B Specification



2539 WEST 237TH STREET, SUITE A
TORRANCE, CALIFORNIA 90505
TEL: 310-326-7072 FAX: 310-326-7058

OUTPUT SPECIFICATIONS

| Model Number | Output Voltage(Volts) | Output Current (Amps) | | Max. Power (Watts) | Efficiency (typ.) | Ripple ¹ P-P (mV) | Total Regulation ² |
|--------------|-----------------------|-----------------------|-------|--------------------|-------------------|------------------------------|-------------------------------|
| | | Min. | Rated | | | | |
| UP0301E-05P | 5 | 0.0 | 6.00 | 30 | 70% | 50 | ±5% |
| UP0351E-12P | 12 | 0.0 | 3.00 | 36 | 80% | 120 | ±5% |
| UP0351E-15P | 15 | 0.0 | 2.40 | 36 | 80% | 150 | ±4% |
| UP0351E-18P | 18 | 0.0 | 2.00 | 36 | 80% | 180 | ±4% |
| UP0351E-19P | 19 | 0.0 | 1.90 | 36 | 80% | 190 | ±4% |
| UP0351E-24P | 24 | 0.0 | 1.50 | 36 | 80% | 240 | ±4% |

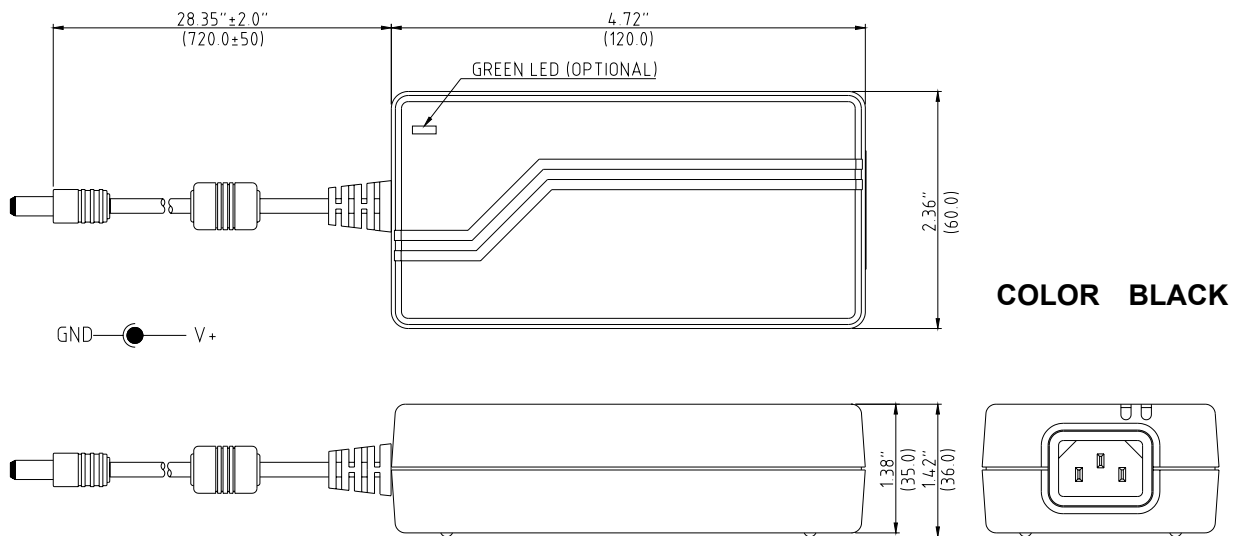
NOTES

1. Add a 0.1uF ceramic capacitor and a 10uF E.L. capacitor to the output cable. Peak to peak and RMS metering equipment shall have a 20 MHz response with probes and cables maintaining frequency response from 200 Hz to 100MHz bandwidth. Output ripple and spikes are measured directly at the output terminals of the power supply without the use of the probe ground clip.
2. Total regulation is defined as the static output regulation at 25°C, including initial tolerance, line voltage and load current within stated limits.

PHYSICAL SPECIFICATIONS

Weight : 300g.

Case Material : ABS Plastic UL94V-0 Flammability Rated.



DC plug & pin assignment (CUSTOM DESIGN IS AVAILABLE)

IN 2.5/OUT5.5 (mm) DC PLUG FEMALE

NOTES:

1. All dimensions in inches (mm).
2. Tolerance (except cable length): .xx = ±0.04
.xxx = ±0.010



**UNIVERSAL
MICROELECTRONICS**

2539 WEST 237TH STREET, SUITE A
TORRANCE, CALIFORNIA 90505
TEL: 310-326-7072 FAX: 310-326-7058